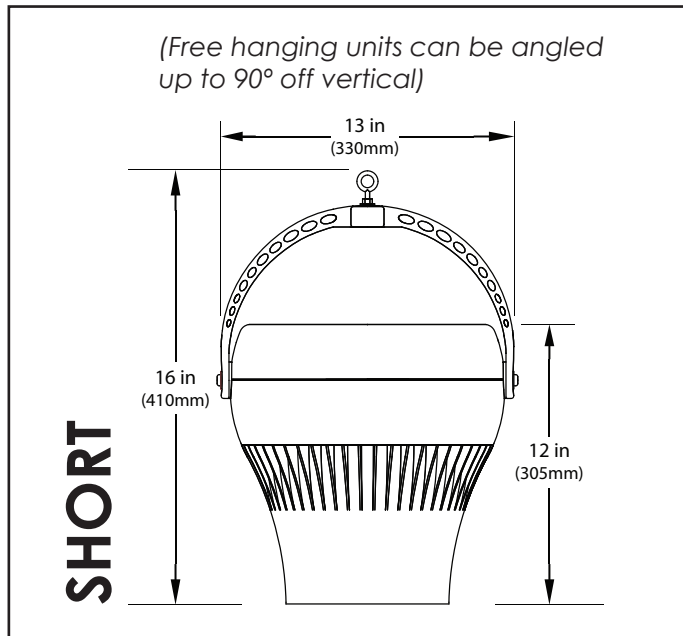


## MODEL 10 DIMENSIONS



## MODEL 10 PROPERTIES

UNIT SIZE	<b>Short</b>	
	Weight:	3.2 kgs (7 lbs)
	Height to Rim:	305 mm (12 in)
	Total Height:	410 mm (16 in)
	Diameter:	330 mm (13 in)

MOTOR	<b>230V</b>	
	Watts* @ 50 htz:	12
	RPM* @ 50 htz:	980
	CFM* @ 50 htz (m3/hr):	318 (540)
	AMPS* @ 50 htz:	.06

\*Motor data provided by motor manufacturer and is subject to change at anytime

### COVERAGE

- Floor area = 46m<sup>2</sup> (500 ft<sup>2</sup>)
- Diameter = 7.5m (25 ft)
- Ceiling Height = 2.5m - 3.5m (8 ft - 12 ft)

### MOTOR

- Single Phase
- Shaded pole single speed fan motor
- 980 rpm @ 50hz

### OPERATING TEMPERATURES

- Min start temp (approx.) = -10° C (-14° F)
- Min running temp = -20° C (-4° F)
- Shut off = 110° C (230° F)
- Reset = 90° C (195° F)

### NOISE LEVELS

- 3 Metres = 0 - 25dB

### COLOUR

- Cool gray 2C - Off white as standard
- Can be tailor painted to your colour specifications

### ACCESSORIES & OPTIONS

- Airius suspended ceiling kit - Allows model 10 Airius unit to be mounted in a suspended ceiling grid
- Airius speed control - TRIAC speed control to adjust top end RPM
- PHI kit - Photohydroionization - Advanced oxidation technology - Used to mitigate air contaminants

### WARRANTY

- Warranty offered - 3 years from shipping date

## MODEL 10 PLACEMENT

### PREPARATION

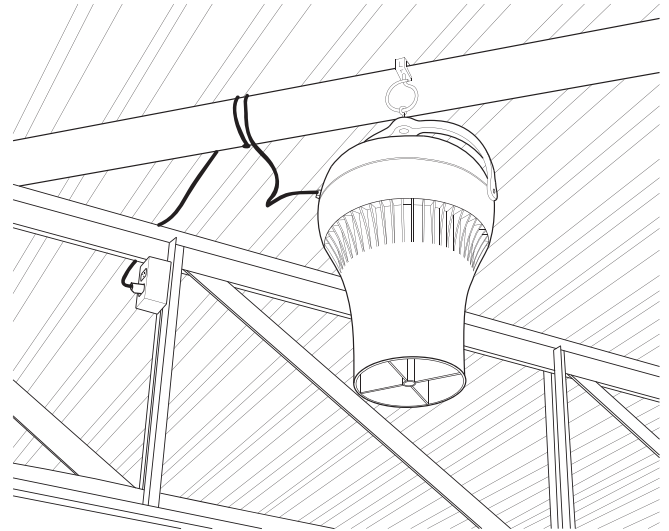
- Install electrical circuit(s) and outlet(s) in accordance with national and local electric codes
- Outlets should generally be mounted vertically unless a "twist/locking" type is being used
- Wall switch may be installed in circuit to disable power and prevent electrical hazards when servicing
- Confirm electrical continuity of Airius unit on the ground before permanently mounting in the ceiling

### INSTALLATION

- Hang vertically as high in the ceiling as possible  
Typically 12 - 18 inches from the roof deck to intake
- The Airius unit performs best when air column from the nozzle is unimpeded to the floor
- Use professionally installed hardware, capable of supporting a minimum of five times the weight
- Hardware to hang the unit includes but is not restricted to: Hooks, chains, cables, carabiners, bridle rings, beam clamps and bolts
- Density of the placement is directly related to the effectiveness, performance and savings
- Mount out of reach from people and animals
- Floor plans, mezzanines, office locations, machinery, people placement, plumbing, lighting, duct work, electrical systems, natural light/air systems, cranes, doors, windows, ventilation and fire suppression systems are all factors in properly locating the Airius system within the ceiling

### OPERATION

- Designed to operate 24 hours-a-day, 7 days-a-week to maintain thermal equalization/humidity equalization
- Use optional speed control to fine tune RPM if needed



### MAINTENANCE

- Frequency of cleaning will vary by application and environment
- You may clean the plastic housing with a damp warm cloth, using mild household detergents
- Do not use petroleum products, thinners or solvents to clean any part of the Airius unit
- If the Airius unit fails, contact manufacturer

### MATERIALS & PROPERTIES

- Constructed from recyclable materials
- The outer shell, stator and fan blades are fire rated 5VA materials
- Power cord is a 3 wire 18 AWG (or 16 AWG) 300VAC rated electrical cord - CE/EU compliance rated as HO5VV
- Single phase, shaded pole, single speed, axial motor
- Motor is thermally protected. Shutoff is at 110°C (230°F) & reset is at 90°C (195°F)
- 0 - 25 dB(A)\* at 50 htz
- No lubrication required. Bearings are sealed



Airius LLC, © 2011. All Rights Reserved.